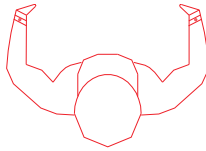
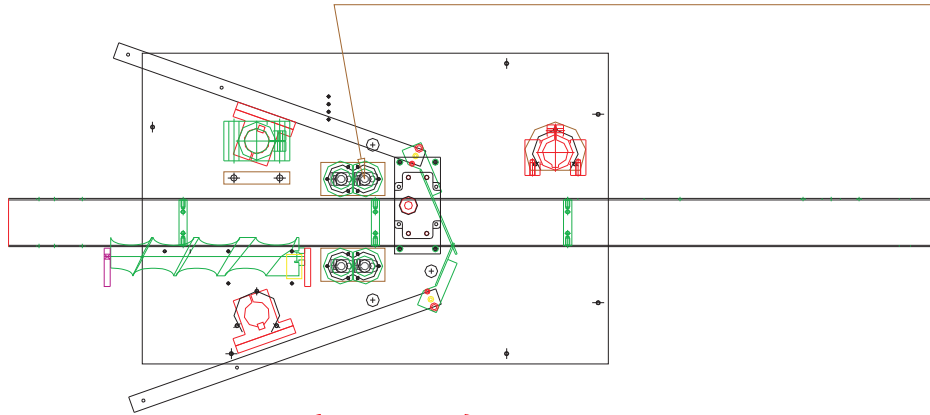


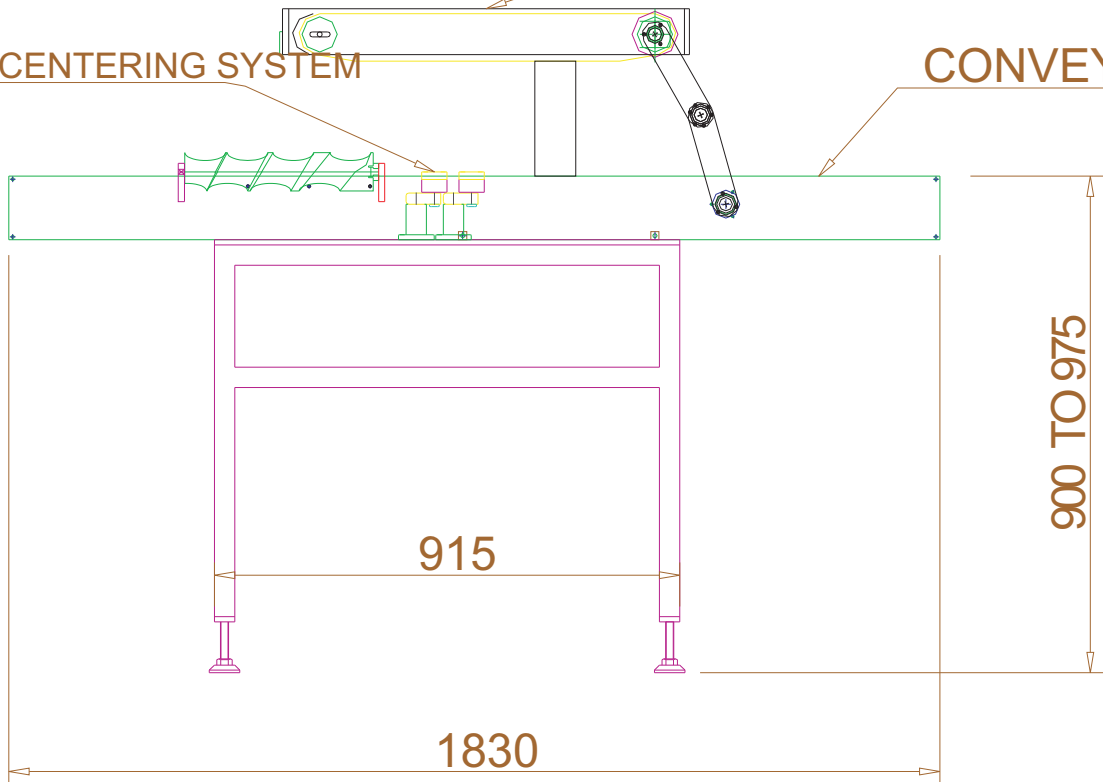
POCKET TYPE CENTERING SYSTEM



TOP PRESSING

POCKET TYPE CENTERING SYSTEM

CONVEYOR



Dimensions in MM

Right of technical improvements and modifications reserved.
All illustrations and dimensions are shown for information only



BROTHERS
PHARNAMACH (INDIA) PVT. LTD.
brothers@usa.net

M/C MODEL LABELSTIK-100F Flat Bottle Labelling Machine

SPEED : Max. 100 BPM DEPENDING ON Bottle size and label size

D.NO.

P.NO.